



Pneumatic Control Unit for the integrated mounting on process valves

- Compact design
- Pilot valve with high air flow rate
- Internal control air channel
- Optical position indicator
- Air supply filter

Type 8690 can be combined with...



Type 2100

Angle-seat valve



Type 2101

Globe valve



Type 2103

Diaphragm valve



Type 2000

Angle-seat valve

The 8690 pneumatic control unit is optimised for integrated mounting on the 21XX process valve series. Mechanical or inductive limit switches register the position of the valve. The integrated pilot valve controls single or double-acting actuators.

The design of the control unit and the actuator enables an internal control air channel without external tubings. Besides the electrical position feedback signal the status of the device is shown directly on the control head itself.

Technical data

Material	
Body	PPS
Cover	PC
Sealing	EPDM
Operating voltage	
Pilot valve	24 VDC \pm 10%, residual ripple 10% (no technical direct current); Consumption 1W max. 24 VDC, max. 2A 10 to 24 VDC, max. 100mA ext. load per initiator According to Fieldbus specification
Micro switch	
Initiator	
Control medium	
Dust concentration	neutral gases, air DIN ISO 8573-1
Particle density	Class 5 (<40 μ m particle size)
Pressure condensation point	Class 5 (<10mg/m ³)
Oil concentration	Class 3 (<-20°C)
	Class 5 (<25mg/m ³)
Supply pressure	3 to 7 bar ¹⁾
Air input filter	
Mesh aperture	exchangeable ~0,1mm
Pilot air ports	Push-in connector (external \varnothing 6 mm or 1/4") or threaded ports G1/8
Position feedback	1 or 2x micro switch (24 VDC) 1 or 2x initiator 3-wires (24 VDC) 1 or 2x initiator NAMUR (8 VDC) (in preparation)
Stroke range valve spindle	
Micro switch	3 to 28 mm
Initiator	7 to 28 mm
Ambient temperature	0 to +55 °C
Installation	as required, preferably with actuator in upright position
Protection class	IP 65/67 according to EN 60529 (NEMA4x in preparation)
Protection class	3 according to VDE 0580
Conformity	according to CE in compliance with EMV2004/108/EG
Type of protection	II 3 G nA II B T4 II 3 D tD A22 T135° II 2 G EEx ia IIC, ATEX (option)
Electrical connection	
Multipole	M12, 8-pole
Cable gland	M16x1,5 (cable- \varnothing 10mm), terminal screws (1,5mm ²)
Approval	CSA (in preparation)

¹⁾ The supply pressure has to be 0,5 - 1 bar above the minimum required pilot pressure for the valve actuator.

Ordering information for process valve system with integrated pneumatic control unit

A complete process valve system consists of a pneumatic control unit Type 8690 and a process valve Type 21xx or 20xx.

The following information is necessary for the selection of a complete system:

• **Item no.** of the desired pneumatic control unit **Type 8690** (see Ordering chart on p. 3)

• **Item no.** of the selected process valve **Type 21xx or Type 20xx**
 (see separate datasheet for e.g. Types 2100, 2101, 2103 and 2000, 2012, 2031)

You order two components and receive a complete assembled and certified valve.

When you click on the orange box "More info." below, you will come to our website for the resp. product where you can download the datasheet.

Example for process valve systems

**Pneumatic Control Unit
Type 8690**

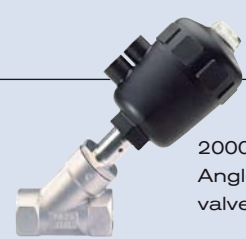
Desired process valve, example



2100
Angle-seat
valve



2103
Diaphragm
valve



2000
Angle-seat
valve

Complete process valve system



**Process valve system
On/Off ELEMENT
Type 8801-YE-K
2100+8690**



**Process valve system
On/Off ELEMENT
Type 8801-DF-K
2103+8690**




**Process valve system
On/Off Classic
Type 8801-YA-K
2000+8690**

Ordering chart pneumatic control unit Type 8690 (other versions on request)

Position feedback	Pilot air ports	Valve function	Item no.	Item no. for usage with 20x actuator 50/63mm
Micro switch				
With cable gland				
2 micro switch	Push-in connector external ø 6 mm or 1/4"	single-acting DN3,0	176 617	204 783
		double-acting DN3,0	176 618	-
		without	179 322	-
	Threaded ports G1/8	Single-acting DN3,0	185 555	-
		Single-acting DN3,0	-	186 221
		Double-acting DN3,0	-	186 219
1 micro switch	Push-in connector external ø 6 mm or 1/4"	single-acting DN3,0	180 022	-
		Double-acting DN3,0	180 023	-
	Threaded ports G1/8	Single-acting DN3,0	185 554	-
With Multipole M12				
2 micro switch	Push-in connector external ø 6 mm or 1/4"	Single-acting DN3,0	182 443	203 171
		Double-acting DN3,0	182 445	-
		Without	182 441	206 132
	Threaded ports G1/8	Single-acting DN3,0	185 560	206 131
1 micro switch	Push-in connector external ø 6 mm or 1/4"	Single-acting DN3,0	182 442	-
		Double-acting DN3,0	182 444	-
		without	182 440	-
	Threaded ports G1/8	Single-acting DN3,0	185 559	-
Initiator				
With cable gland				
2 initiator	Push-in connector external ø 6 mm or 1/4"	Single-acting DN3,0	185 197	-
		Double-acting DN3,0	185 199	-
	Threaded ports G1/8	Single-acting DN3,0	185 557	-
		Double-acting DN3,0	-	186 218
1 initiator	Push-in connector external ø 6 mm or 1/4"	Single-acting DN3,0	185 195	-
		Double-acting DN3,0	185 198	-
	Threaded ports G1/8	Single-acting DN3,0	185 556	-
With Multipole M12				
2 initiator	Push-in connector external ø 6 mm or 1/4"	Single-acting DN3,0	182 449	-
		Double-acting DN3,0	182 451	-
		without	182 447	-
	Threaded ports G1/8	Single-acting DN3,0	185 562	206 133
Without		185 558	206 134	
1 initiator	Push-in connector external ø 6 mm or 1/4"	Single-acting DN3,0	182 448	-
		Double-acting DN3,0	182 450	-
		Without	182 446	-
	Threaded ports G1/8	Single-acting DN3,0	185 561	-
Without				
With cable gland				
Without	Push-in connector external ø 6 mm or 1/4"	Single-acting DN3,0	182 439	-

i Further versions on request

 **Approvals**
CSA

 **Additional**
Type of protection: II 2G EEx ia IIC, ATEX
1 or 2x initiator NAMUR (8 V DC)

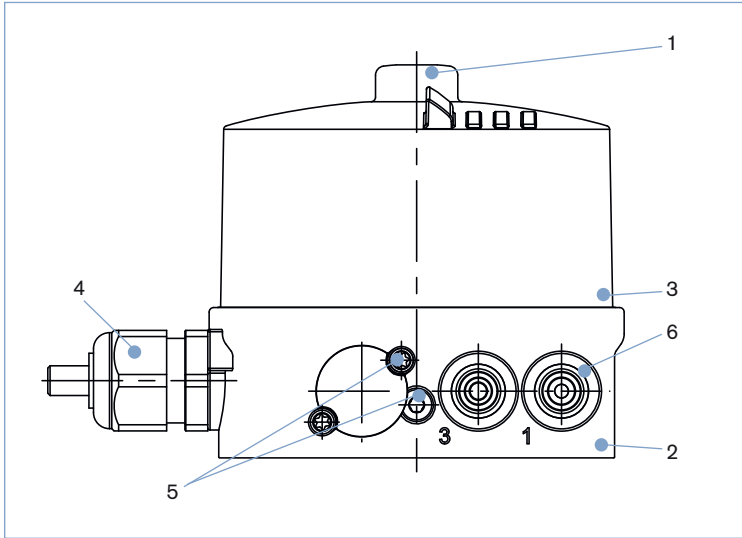
Ordering chart adapter kit

Description	Actuator size	Control function	Item no.
Adapter set for Type 21xx	Ø 70 / 90 mm	NC / NO / springless (A / B / I)	665 720
Adapter set for Type 20xx	Ø 50 mm	NC (A) / NO (B)	673 257
		Springless (I)	673 261
	Ø 63 mm	NC (A) / NO (B)	673 256
		Springless (I)	673 262
	Ø 80 mm	NC (A) / NO (B)	673 258
		Springless (I)	673 263
	Ø 100 mm	NC (A) / NO (B)	673 259
		Springless (I)	673 264
	Ø 125 mm	NC (A) / NO (B)	673 260
		Springless (I)	674 513

Ordering chart accessories

Description	Item no.
M12 socket, 8-pins, 2 m assembled cable	919 061
Silencer G1/8	780 779
Silencer, push-in connector	902 662

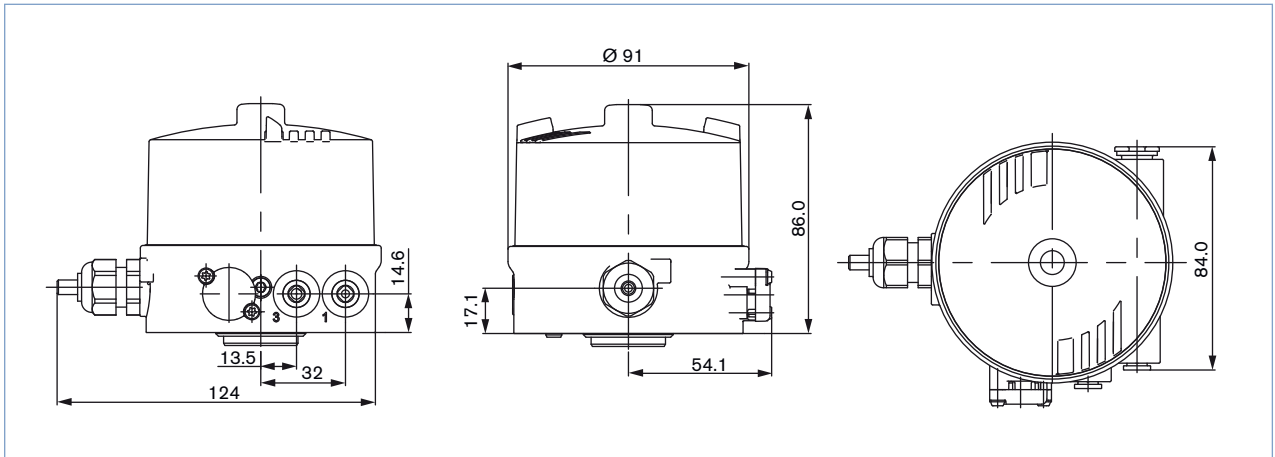
Materials



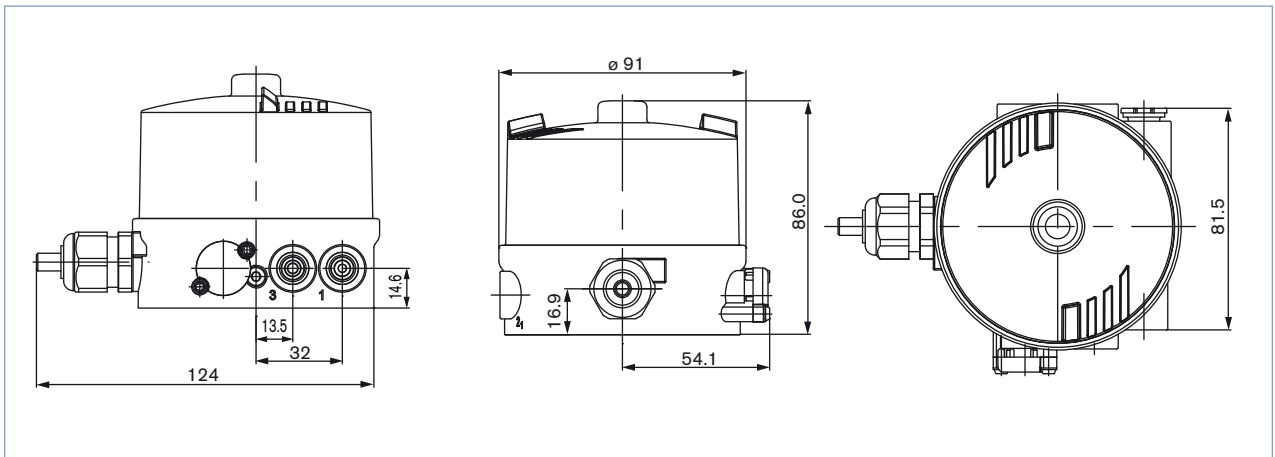
- | | | |
|----------|---------------------|-------------|
| 1 | Transparent cap | PC |
| 2 | Basic body | PPS |
| 3 | Sealing | EPDM |
| 4 | Cable gland | PA |
| | Plug | M12 St. st. |
| 5 | Screws | St. st. |
| 6 | Push-in connector | POM/St. st. |
| | Threaded ports G1/8 | St. st. |

Dimensions [mm]

Mounting on process valve Type 21xx

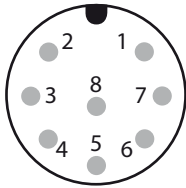


Mounting on process valve Type 20xx



Connection options

Multipole, plug M12 8-pins



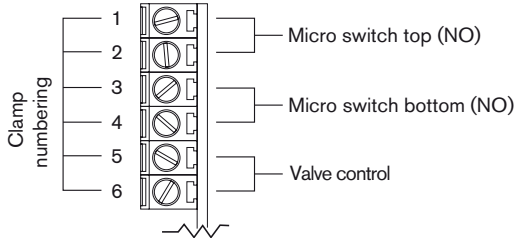
Plug configuration 24 V with micro switch

Pin no.	Configuration	External circuit
1	Micro switch top (NO)	Micro switch top (NO)
3		Micro switch top (NO)
2	Micro switch bottom (NO)	Micro switch bottom (NO)
4		Micro switch bottom (NO)
5	Valve control 0/24 V	0/24 V DC ± 10 % residual ripple 10 %
6	Valve control GND	
7	not assigned	
8		

Plug configuration with initiator

Pin no.	Configuration
1	INI 1 OUT Output
2	INI 2 OUT Output
3	INI - (GND) Supply
4	INI + (24 V DC) Supply
5	Valve control 0 / 24 V DC
6	Valve control GND

Cable gland , M16 x 1,5 (cable-ø 10 mm), terminal screws (1,5 mm²)



Port configuration 24 V with micro switch

Clamp no.	Configuration	External circuit
1	Micro switch top (NO)	Micro switch top (NO)
2		Micro switch top (NO)
3	Micro switch bottom (NO)	Micro switch bottom (NO)
4		Micro switch bottom (NO)
5	Valve control 0/24 V	0/24 V DC ± 10 % Residual ripple 10 %
6	Valve control GND	

Port configuration with initiator

Clamp no.	Configuration
1	INI - (GND) Supply
2	INI 1 OUT Output
3	INI 2 OUT Output
4	INI + (24 V DC) Output
5	Valve control 0 / 24 V DC
6	Valve control GND

To find your nearest Bürkert facility, click on the orange box → www.burkert.com

In case of special application conditions, please consult for advice.

Subject to alteration.
© Christian Bürkert GmbH & Co. KG