



Type 6027 Compact can be combined with...



Type 2508
Cable plug



Type 1078
Timer unit



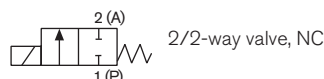
Type 2511
ASI cable plug

2/2-way Compact Solenoid Valve, G 1/4 - G 1/2

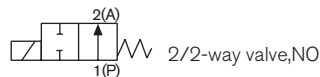
- Direct-acting, normally closed
- Brass and stainless steel body
- Electrical connection cable plug Form A
- High pressure version up to 100 bar
- High temperature version up to +180 °C

Type 6027 is a direct-acting solenoid valve used for shut-off, dosing, filling, and ventilation. The push-over solenoid system is of modular design and the coil can be rotated 360°.

Circuit function A



Circuit Function B



| Technical data | |
|----------------------------------|--|
| Port connection | G 1/4, G 3/8, G 1/2 (NPT and Rc on request) |
| Orifice | DN 2.0 - 12.0 |
| Body material | Brass or stainless steel 1.4404 (316L) |
| Coil material | Epoxy |
| Coil insulation class | Epoxy class H |
| Seal material | FKM, PTFE/FKM and PTFE/graphite for high temperature versions (EPDM on request) |
| Medium | Vacuum, neutral gases and liquids (e.g. compressed air, town gas, natural gas, water, hydraulic oil, petrol) and slightly aggressive medium (stainless steel version) Hot fluids and steam (only with stainless steel body) |
| High temperature version | |
| Medium temperature | |
| Seal material FKM, PTFE/FKM | -10 to +120°C |
| Seal material PTFE/graphite | -40 to +180 °C |
| Ambient temperature | -10 to +55°C |
| Viscosity | max. 21 mm ² /s |
| Voltages | 24 V DC, 24 V/50 Hz, 230 V/50 Hz |
| Voltage tolerance | ±10% |
| Duty cycle / single valve | 100 % continuous operation |
| Electrical connection | According to DIN EN 175301-803 Form A for cable plug Type 2508 (see Ordering chart for accessories) |
| Protection class | IP65 with Cable Plug |
| Installation | As required, preferably with actuator in upright position |

Technical data (cont.)

| Power consumption | | | | |
|-------------------|-------------------|-------------------------|-----|------------------------|
| Orifice [mm] | Power consumption | | | DC (hot/cold coil) [W] |
| | Inrush AC [VA] | Hold AC (hot coil) [VA] | [W] | |
| 2.0-12.0 | 105 | 37 | 16 | 16 / 21 |

| Response times | | | | |
|----------------|-------------------|--------------|-------------------|--------------|
| Orifice [mm] | Response times AC | | Response times DC | |
| | Opening [ms] | Closing [ms] | Opening [ms] | Closing [ms] |
| 2.0-12.0 | 10-20 | 20-30 | 20-80 | 20-30 |

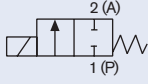


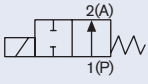

Response times [ms]:

Measured at valve outlet at 6 bar and +20°C.

Opening: pressure build-up 0 to 90% Closing: Pressure relief 100 to 10%

Ordering chart for valves with brass or stainless steel body, standard temperature version

Valves with AC19 coil (42 mm), seal material FKM, without cable plug

| Circuit function | Port connection | | Orifice [mm] | Kv value water [m ³ /h ¹⁾ | Pressure range [bar] ²⁾ | | Item no. per voltage/frequency [V/Hz] | | | |
|---|---|---------------|--------------|---|------------------------------------|---------|---------------------------------------|---------|---------|-------------------------------|
| | | | | | DC | AC | 024/DC | 024/50 | 230/50 | |
| | | | | | | | | | | for liquid and gaseous medium |
| A 2/2-way valve NC  | Seal material FKM, medium temperature -10 to +120°C | | | | | | | | | |
| | Brass body | | | | | | | | | |
| |  | Threaded port | G 1/4 | 3.0 | 0.28 | 0-30 | 0-25 | 178 295 | 178 296 | 178 297 |
| | | | | 4.0 | 0.54 | 0-12 | 0-16 | 178 299 | 178 300 | 178 301 |
| | | | | 5.0 | 0.73 | 0-6 | 0-10 | 178 303 | 178 304 | 178 305 |
| | | | G 3/8 | 6.0 | 0.95 | 0-3 | 0-6 | 178 307 | 178 308 | 178 309 |
| | | | | 3.0 | 0.28 | 0-30 | 0-25 | 178 311 | 178 312 | 178 313 |
| | | | | 4.0 | 0.54 | 0-12 | 0-16 | 178 315 | 178 316 | 178 317 |
| | | G 1/2 | 5.0 | 0.73 | 0-6 | 0-10 | 178 319 | 178 320 | 178 321 | |
| | | | 6.0 | 0.95 | 0-3 | 0-6 | 178 323 | 178 324 | 178 325 | |
| | | | 8.0 | 1.6 | 0-1 | 0-3 | 178 327 | 178 328 | 178 329 | |
| | | | 6.0 | 0.95 | 0-3 | 0-6 | 178 331 | 178 332 | 178 333 | |
| | | | 8.0 | 1.6 | 0-1 | 0-3 | 178 335 | 178 336 | 178 337 | |
| | | | 10.0 | 1.8 | 0-0.4 | 0-2.0 | 178 339 | 178 340 | 178 341 | |
| | Stainless steel 1.4404 (316L) | | | | | | | | | |
| |  | Threaded port | G 1/4 | 3.0 | 0.28 | 0-30 | 0-25 | 178 239 | 178 240 | 178 241 |
| | | | | 4.0 | 0.54 | 0-12 | 0-16 | 178 243 | 178 244 | 178 245 |
| | | | | 5.0 | 0.73 | 0-6 | 0-10 | 178 247 | 178 248 | 178 249 |
| | | | G 3/8 | 6.0 | 0.95 | 0-3 | 0-6 | 178 251 | 178 252 | 178 253 |
| | | | | 3.0 | 0.28 | 0-30 | 0-25 | 178 255 | 178 256 | 178 257 |
| | | | | 4.0 | 0.54 | 0-12 | 0-16 | 178 259 | 178 260 | 178 261 |
| | | G 1/2 | 5.0 | 0.73 | 0-6 | 0-10 | 178 263 | 178 264 | 178 265 | |
| | | | 6.0 | 0.95 | 0-3 | 0-6 | 178 267 | 178 268 | 178 269 | |
| | | | 8.0 | 1.6 | 0-1 | 0-3 | 178 271 | 178 272 | 178 273 | |
| 6.0 | | | 0.95 | 0-3 | 0-6 | 178 275 | 178 276 | 178 277 | | |
| 8.0 | | | 1.6 | 0-1 | 0-3 | 178 279 | 178 280 | 178 281 | | |
| 10.0 | | | 1.8 | 0-0.4 | 0-2.0 | 178 283 | 178 284 | 178 285 | | |
| B 2/2-way valve NO  | | | | | | | | | | |
|  | G1/4 | G1/4 | 3 | 0.28 | 0-16 | | 211 914 | ■ | ■ | |
| | | | 4 | 0.54 | 0-10 | | 208 623 | ■ | ■ | |
| | | | 6 | 0.95 | 0-6 | | 211 915 | ■ | ■ | |
| | | | G1/2 | 8 | 1.6 | 0-3 | | 211 916 | ■ | ■ |
| | | | | 10 | 1.8 | 0-2 | | 210 436 | ■ | ■ |

¹⁾ Measured at +20 °C, 1 bar²⁾ pressure at valve inlet and free outlet²⁾ Measured as overpressure to the atmospheric pressure

■ on request

Please note that the cable plug has to be ordered separately, see accessories on page 5 and separate datasheet for Type 2508.

i Further versions on request

 **Materials**
Seal material EPDM, PTFE

 **Approvals**
ATEX

 **Port connection**
NPT, Rc

 **Pressure**
Higher pressures for gaseous medium

 **Voltage**
Non-standard voltages

 **Additional**
Oxygen versions

Ordering chart for valves with brass body, standard temperature and high pressure version

All valves with AC19 coil (42 mm), seal material PTFE/FKM, without Cable Plug

| Circuit function | Port connection | Orifice [mm] | Kv value water [m ³ /h] ¹⁾ | Pressure range [bar] ²⁾ for liquid and gaseous medium | | | Item no. per voltage/frequency [V/Hz] | | | |
|----------------------------------|---|--------------|--|--|---------|----------------|---------------------------------------|---------|--------|---------|
| | | | | DC for liquid and gaseous medium | AC | | 024/DC | 024/50 | 230/50 | |
| | | | | | Liquids | Gaseous medium | | | | |
| A 2/2-way valve NC | Seal material PTFE/FKM, medium temperature -10 to +120°C | | | | | | | | | |
| | Brass body | | | | | | | | | |
| | Threaded port | G 1/4 | 2.0 | 0.14 | 0-80 | 0-75 | 0-80 | 184 667 | ■ | 184 668 |
| | | | 4.0 | 0.54 | 0-20 | 0-30 | 0-50 | 184 670 | ■ | 184 671 |
| | | | 6.0 | 0.95 | 0-4 | 0-14 | 0-16 | 184 674 | ■ | 184 675 |
| | | G 3/8 | 6.0 | 0.95 | 0-4 | 0-14 | 0-16 | 184 677 | ■ | 184 678 |
| | | | 8.0 | 1.6 | 0-1 | 0-6 | 0-6 | 184 680 | ■ | 184 681 |
| | | G 1/2 | 8.0 | 1.6 | 0-1 | 0-6 | 0-6 | 184 683 | ■ | 184 684 |
| | | | 10.0 | 1.8 | 0-0.4 | 0-2 | 0-3 | 184 686 | ■ | 184 687 |

¹⁾ Measured at +20 °C, 1 bar ²⁾ pressure at valve inlet and free outlet

²⁾ Measured as overpressure to the atmospheric pressure

■ on request

Please note that the cable plug has to be ordered separately, see accessories on page 5 and separate datasheet for Type 2508.

Ordering chart valves with stainless steel body, also for high temperatures and high pressure

All valves with AC19 coil (42 mm), seal material PTFE/graphite, without Cable Plug

| Circuit function | Port connection | Orifice [mm] | Kv value water [m ³ /h] ¹⁾ | Pressure range [bar] ²⁾ for liquid and gaseous medium | | | Item no. per voltage/frequency [V/Hz] | | | |
|----------------------------------|---|--------------|--|--|---------|----------------|---------------------------------------|---------|---------|---------|
| | | | | DC for liquid and gaseous medium | AC | | 024/DC | 024/50 | 230/50 | |
| | | | | | Liquids | Gaseous medium | | | | |
| A 2/2-way valve NC | Seal material PTFE/graphite, also for high temperatures up to +180°C | | | | | | | | | |
| | Stainless steel body | | | | | | | | | |
| | Threaded port | G 1/4 | 2.0 | 0.14 | 0-100 | 0-75 | 0-100 | 184 689 | ■ | 184 690 |
| | | | 4.0 | 0.54 | 0-20 | 0-30 | 0-50 | 184 692 | ■ | 184 693 |
| | | | 6.0 | 0.95 | 0-4 | 0-14 | 0-16 | 184 695 | ■ | 184 696 |
| | | G 3/8 | 8.0 | 1.6 | 0-1 | 0-6 | 0-6 | 184 698 | ■ | 184 699 |
| | | | G 1/2 | 10.0 | 1.8 | 0-0.4 | 0-2 | 0-3 | 184 701 | ■ |
| | | 12.0 | | 2.0 | 0-0.2 | 0-1.2 | 0-2 | 184 704 | ■ | 184 705 |

¹⁾ Measured at +20 °C, 1 bar ²⁾ pressure at valve inlet and free outlet

²⁾ Overpressure with respect to atmospheric pressure

■ on request

Please note that the cable plug has to be ordered separately, see accessories on page 5 and separate datasheet for Type 2508.

i Further versions on request



Materials
Seal material EPDM, PTFE



Port connection
NPT, Rc



Voltage
Non-standard voltages



Approvals
ATEX

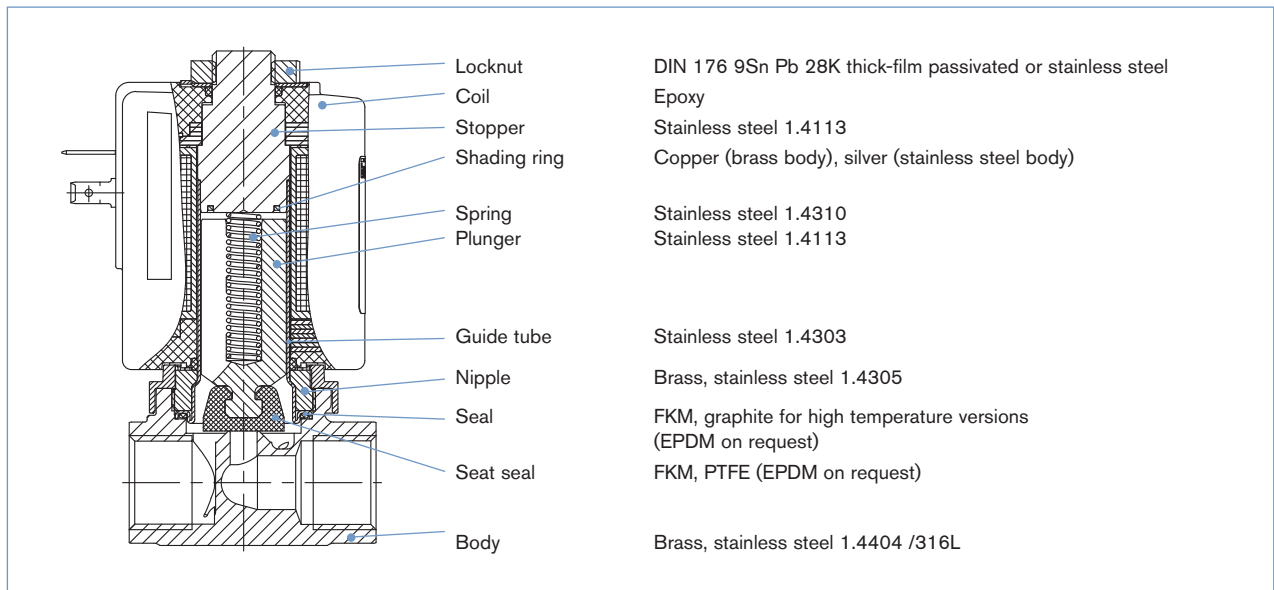


Pressure
Higher pressures for gaseous medium

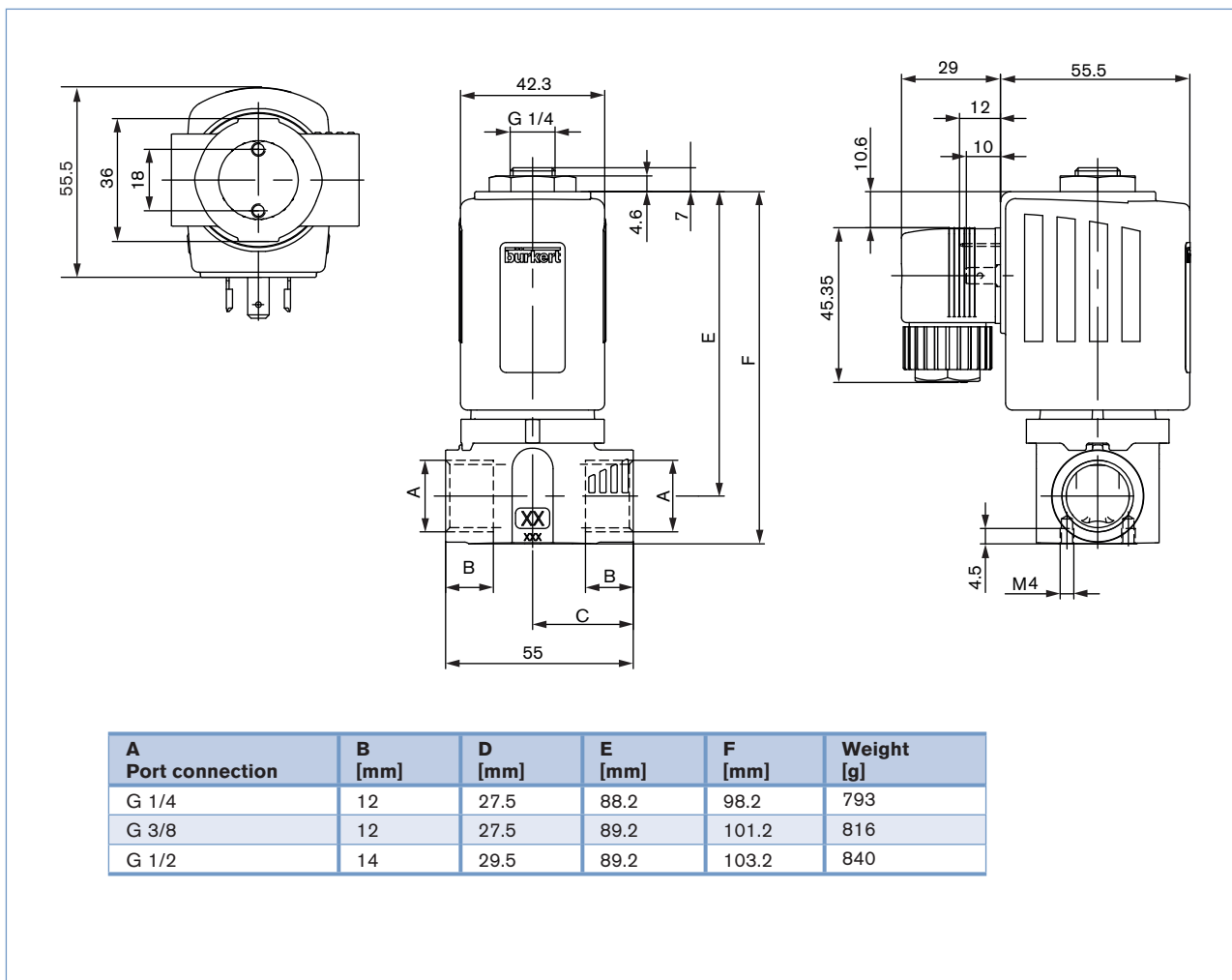


Additional
Oxygen versions

Materials




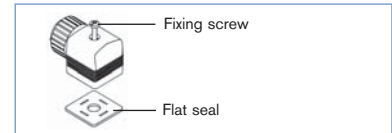
Dimensions [mm]



Ordering chart accessories

Cable plug Type 2508 according to DIN EN 175301-803 Form A

|  | Circuit | Voltage/ Frequency | Item no. |
|---|----------------------------------|-----------------------|----------|
| | without (Standard) | 0 - 250 V AC/DC | 008 376 |
| | with LED | 12 - 24 V AC/DC | 008 360 |
| | with LED and varistor | 12 - 24 V AC/DC | 008 367 |
| | with rectifier, LED and varistor | 12 - 24 V AC/DC | 008 363 |
| | with LED | 200- 240V | 008 362 |
| | with LED and varistor | 200- 240V | 008 369 |
| further versions see datasheet Type 2508 | | | |



Included in delivery is a connector with flat seal and fixing screw. For other cable plug versions according to DIN EN 175301-803 (previously DIN 43650) Form A, see separate datasheet for Type 2508. When you click on the orange box "More info." below, you will come to our website for the resp. product where you can download the datasheet.

**More
info.**

To find your nearest Bürkert facility, click on the orange box →

www.burkert.com